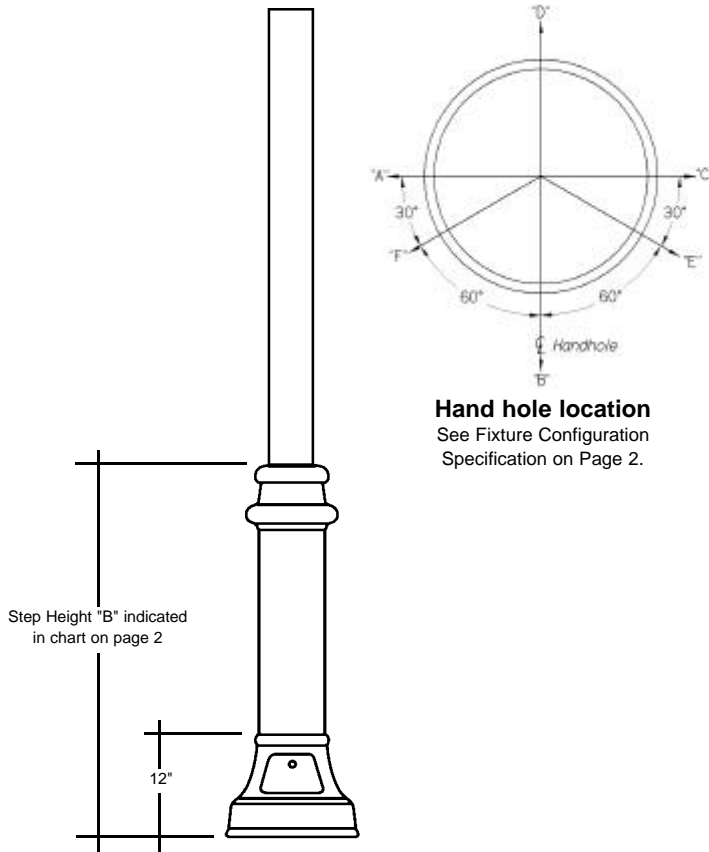


PA4 SERIES



Hand hole location
See Fixture Configuration Specification on Page 2.

Step Height "B" indicated in chart on page 2

12"

General: Aluminum pole with extended classic base design for use in the harshest winter and coastal environments. Straight pole only with stepped shaft.

Pole Construction: Pole shaft spun aluminum to prevent rust and corrosion. Ground lug standard.

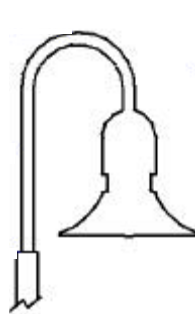
Base and Mounting: Cast aluminum base welded to pole and heat-treated after welding for maximum strength and safety.

Finish: Textured polyester powder coat finish. Black, bronze, gray, white, silver, and verde green options available. For custom colors, please contact factory.

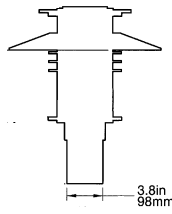
Pole Caps: Cast aluminum pole caps included with each pole. All hardware is stainless steel.

Anchor Bolts: Ordered separately - see below for specification information. Anchor bolt set includes 3/4" -10NC galvanized steel anchor bolts, hex nuts, lock washers and flat washers. Available for early shipment.

GFI Convenience Outlet Option: Located at 90° (c) from and 12" above the center of the handhole.

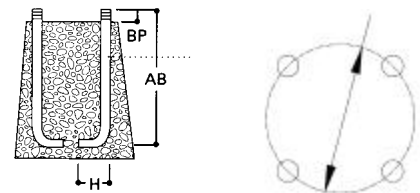


PTM - Post Top, includes 2-3/8" tenon



3.8in
98mm

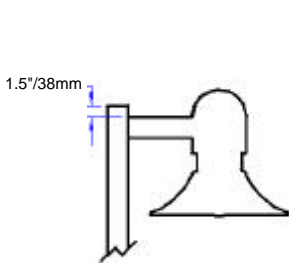
Anchor Bolts



For bolt circle diameter and bolt dimensions see chart on Page 2

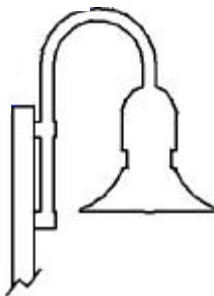
Anchor Bolt Kit Specification

P/N	Bolt Length (AB)	# of Bolts
6135015	17"	4



S3A - Straight Arm

1.5"/38mm



SCM - Shepherds Crook

Stepped Poles - 6" diameter shaft at base stepped to 4" diameter upper shaft

Model #	Height (ft.)	Step Height (ft.-in.)	Shaft Dia. (in.) (at base)	Top Dia. (in.)	Wall Thk. (in.)	Max EPA at Pole Top (Sq. ft)			Max EPA 18" above Pole Top (Sq. ft)			Weight (lbs.)	Max. Fix. Wt. (incl. Brackets) (lbs.)	Base Dia. (in.)	Bolt Proj. (in.)	Circle Dia. (in.)	Anchor Bolt DxABxH (in.)
	MH	B				80	90	100	80	90	100				BP		
PA4T10L7(1)	10	4'-10"	6	4	0.156	29.4	23.0	18.6	22.4	17.6	14.1	54	150	14 1/2	2	10	3/4 x 17 x 3
PA4T12L7(1)	12	5'-3"	6	4	0.156	21.2	16.5	13.2	17.3	13.5	10.8	62	150	14 1/2	2	10	3/4 x 17 x 3
PA4T15L7(1)	15	5'-9"	6	4	0.156	13.9	10.6	8.4	11.8	9.0	7.1	73	150	14 1/2	2	10	3/4 x 17 x 3
PA4T18L7(1)	18	6'-0"	6	4	0.156	9.3	6.8	5.3	7.9	5.8	4.5	85	150	14 1/2	2	10	3/4 x 17 x 3
PA4T20L7(1)	20	6'-2"	6	4	0.156	7.0	5.0	3.8	6.0	4.3	3.2	93	150	14 1/2	2	10	3/4 x 17 x 3

(1) Insert Mounting Type and Fixture Quantity and Configuration. See ordering information for details.

Note: The above is our standard offering. Where higher EPA/wind speed capability or mounting height is required, other shaft dimensions and /or wall thickness are available. Consult factory for more information. Banners not recommended for poles with wall thicknesses less than .156". When mounting banners on poles, please consult factory.

NOTE: We reserve the right to make alterations to the appearance and construction of this luminaire due to new developments and/or technological updates.

ORDERING INFORMATION

	SERIES	SHAFT STYLE	HEIGHT	WALL THICKNESS	BASE DIAMETER	MOUNTING TYPE	CONFIGURATION	OPTIONS	FINISH
Example:	PA4	T		L	6			-	
			10 12 15 18 20			S3A SCM PTM	1 2 3 4 5 6 7	E V	BLK BRZ WHT VGN GRY SIL CC

Shaft Style

T = Stepped Pole

Height

- 10 = 10' Pole
- 12 = 12' Pole
- 15 = 15' Pole
- 18 = 18' Pole
- 20 = 20' Pole

Wall Thickness

L = 0.156"

Base Diameter

6 = 6 stepped to 4"

Mounting Type

- S3A = Straight Arm
- SCM = Shepherds Crook Mount
- PTM = Post Top Mount (includes 2-3/8" tenon)
- SP4 = Open pole top (no tenon)

Configuration

- (See diagram on pg 1 for positioning)
- 1 = Single (D)
 - 2 = Double @ 180° (B,D)
 - 3 = Triple @ 120° (F,D,E)
 - 4 = Quadruple (A,B,C,D)
 - 5 = Double @ 90° (C,D)
 - 6 = Triple @ 90° (A,D,C)
 - 7 = Double @ 120° (D,E)

Options (factory installed)

- E = GFI Convenience Outlet
- G = Ground Lug
- V = Vibration Dampener

Paint Finish

- BLK = Black
- BRZ = Bronze
- WHT = White
- VGN = Verde Green
- GRY = Gray
- SIL = Silver
- CC = Custom Color (contact factory)

N5610368D