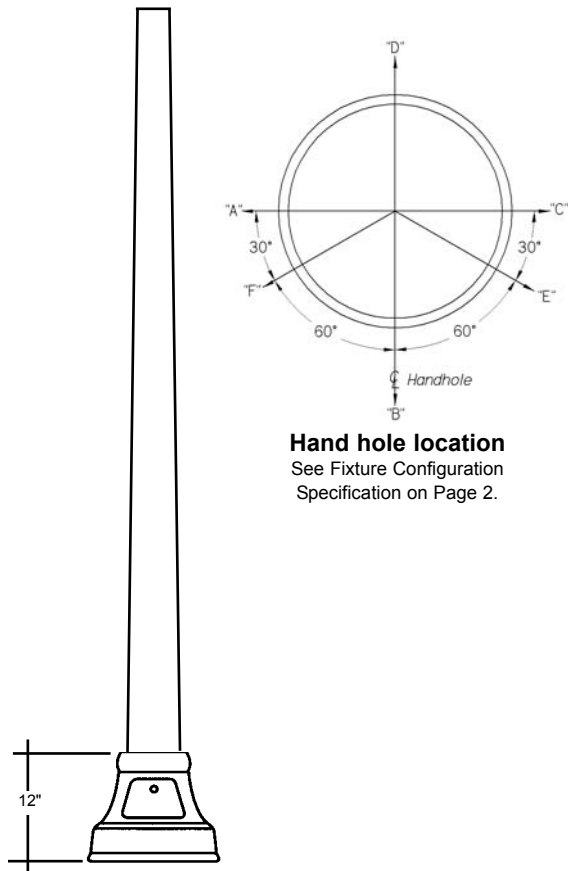


# PA3 SERIES



**Hand hole location**  
See Fixture Configuration Specification on Page 2.

**General:** Aluminum pole with simple decorative base design for use in the harshest winter and coastal environments. Available in straight or tapered shaft.

**Pole Construction:** Pole shaft spun aluminum to prevent rust and corrosion. Ground lug standard.

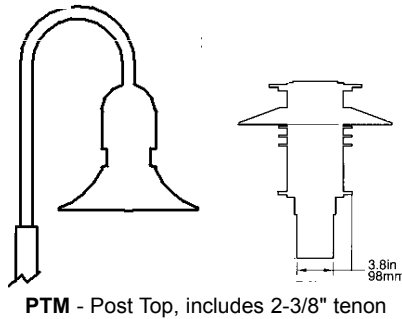
**Base and Mounting:** Cast aluminum base welded to pole and heat-treated after welding for maximum strength and safety.

**Finish:** Textured polyester powder coat finish. Black, bronze, gray, white, silver, and verde green options available. For custom colors, please contact factory.

**Pole Caps:** Cast aluminum pole caps included with each pole. All hardware is stainless steel.

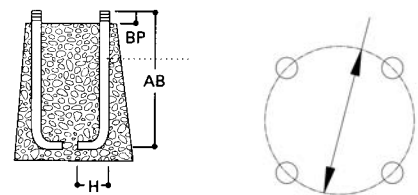
**Anchor Bolts:** Ordered separately - see below for specification information. Anchor bolt set includes 3/4" -10NC galvanized steel anchor bolts, hex nuts, lock washers and flat washers. Available for early shipment.

**GFI Convenience Outlet Option:** Located at 90° (c) from and 12" above the center of the handhole.



**PTM** - Post Top, includes 2-3/8" tenon

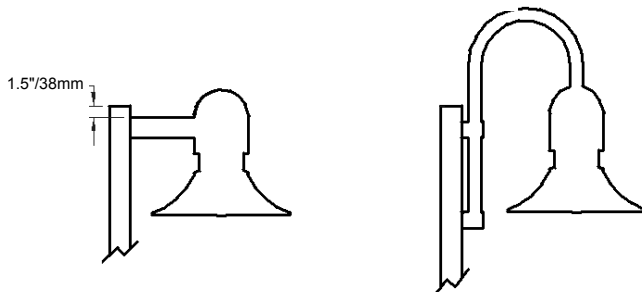
## Anchor Bolts



For bolt circle diameter and bolt dimensions see chart on Page 2

## Anchor Bolt Kit Specification

P/N	Bolt Length (AB)	# of Bolts
6135015	17"	4



**S3A** - Straight Arm

**SCM** - Shepherds Crook

Tapered Poles

Model #	Height	Shaft Dia. (in.) (at base)	Top Dia. (in.)	Wall Thk. (in.)	Max EPA at Pole Top (Sq. ft)			Max EPA 18" above Pole Top (Sq. ft)			Weight (lbs.)	Max. Fix. Wt. (incl. Brackets) (lbs.)	Base Dia. (in.)	Bolt Proj. (in.)	Circle Dia. (in.)	Anchor Bolt DxABxH (in.) (see dia. Pg. 1)
	(ft.)				80	90	100	80	90	100						
	MH	B			80	90	100	80	90	100			BP			
PA3T10L6(1)	10	6	4	0.156	29.6	23.1	18.6	25.2	19.7	15.8	46	150	14 1/2	2	10-11	3/4 x 17 x 3
PA3T12L6(1)	12	6	4	0.156	23.0	17.9	14.3	20.0	15.6	12.5	52	150	14 1/2	2	10-11	3/4 x 17 x 3
PA3T15L6(1)	15	6	4	0.156	16.2	12.5	9.9	14.5	11.2	8.9	63	150	14 1/2	2	10-11	3/4 x 17 x 3
PA3T18L6(1)	18	6	4	0.156	11.6	8.8	6.9	10.6	8.0	6.3	73	150	14 1/2	2	10-11	3/4 x 17 x 3
PA3T20L6(1)	20	6	4	0.156	9.3	6.8	5.3	8.5	6.3	4.9	80	150	14 1/2	2	10-11	3/4 x 17 x 3

(1) Insert Mounting Type and Fixture Quantity and Configuration. See ordering information for details.

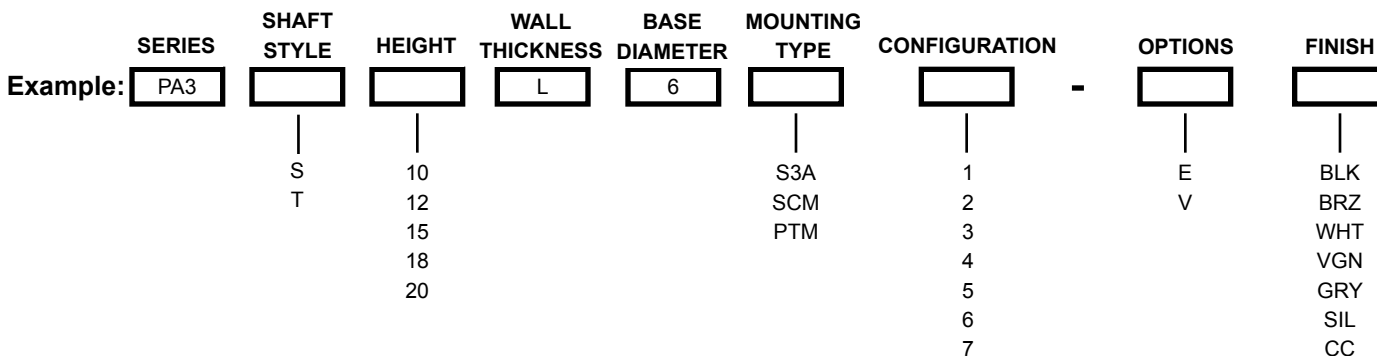
Straight Poles

Model #	Height	Shaft Dia. (in.) (at base)	Top Dia. (in.)	Wall Thk. (in.)	Max EPA at Pole Top (Sq. ft)			Max EPA 18" above Pole Top (Sq. ft)			Weight (lbs.)	Max. Fix. Wt. (incl. Brackets) (lbs.)	Base Dia. (in.)	Bolt Proj. (in.)	Circle Dia. (in.)	Anchor Bolt DxABxH (in.) (see dia. Pg. 1)
	(ft.)				80	90	100	80	90	100						
	MH	B			80	90	100	80	90	100			BP			
PA3S10L6(1)	10	6	6	0.156	29.9	23.5	18.9	25.4	19.9	16.1	46	150	14 1/2	2	10-11	3/4 x 17 x 3
PA3S12L6(1)	12	6	6	0.156	23.2	18.2	14.6	20.2	15.9	12.7	53	150	14 1/2	2	10-11	3/4 x 17 x 3
PA3S15L6(1)	15	6	6	0.156	16.5	12.9	10.3	14.8	11.5	9.2	63	150	14 1/2	2	10-11	3/4 x 17 x 3
PA3S18L6(1)	18	6	6	0.156	12.0	9.2	7.3	10.9	8.4	6.7	73	150	14 1/2	2	10-11	3/4 x 17 x 3
PA3S20L6(1)	20	6	6	0.156	9.6	7.4	5.8	8.9	6.8	5.3	80	150	14 1/2	2	10-11	3/4 x 17 x 3

(1) Insert Mounting Type and Fixture Quantity and Configuration. See ordering information for details.

Note: The above is our standard offering. Where higher EPA/wind speed capability or mounting height is required, other shaft dimensions and /or wall thickness are available. Consult factory for more information. Banners not recommended for poles with wall thicknesses less than .156". When mounting banners on poles, please consult factory.

# ORDERING INFORMATION



**Shaft Style**

S = Straight Pole  
T = Tapered Pole

**Height**

10 = 10' Pole  
12 = 12' Pole  
15 = 15' Pole (n/a on 4" dia. poles)  
18 = 18' Pole (n/a on 4" dia. poles)  
20 = 20' Pole (n/a on 4" dia. poles)

**Wall Thickness**

L = 0.156"

**Diameter (at base)**

Straight Tapered  
6 = 6" 6 x 4"

**Mounting Type**

S3A = Straight Arm  
SCM = Shepherds Crook Mount  
PTM = Post Top Mount (includes 2-3/8" tenon)

**Configuration**

(See diagram on pg 1 for positioning)  
1 = Single (D)  
2 = Double @ 180° (B,D)  
3 = Triple @ 120° (F,D,E)  
4 = Quadruple (A,B,C,D)  
5 = Double @ 90° (C,D)  
6 = Triple @ 90° (A,D,C)  
7 = Double @ 120° (D,E)

**Paint Finish**

BLK = Black  
BRZ = Bronze  
WHT = White  
VGN = Verde Green  
GRY = Gray  
SIL = Silver  
CC = Custom Color (contact factory)

**Options (factory installed)**

E = GFI Convenience Outlet  
V = Vibration Dampener

N5610367D