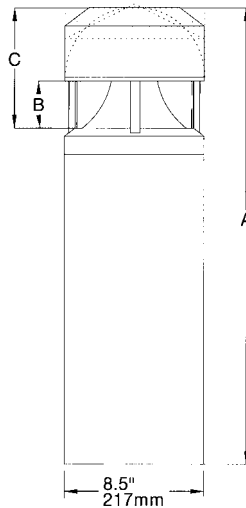
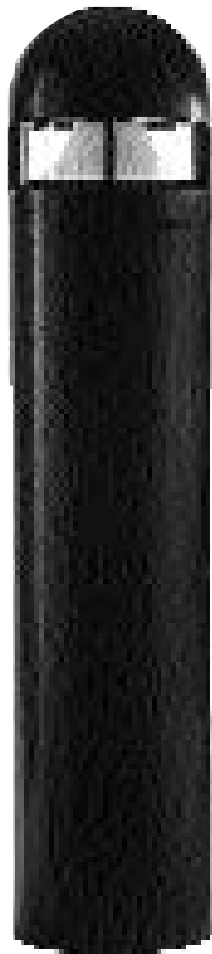


ELEGANT



SIZE	TOP STYLE	DIM "A"	DIM "B"	DIM "C"
8"	BEVELED AND FLAT	40.0" (1016mm)	2.9" (73mm)	7.75" (197mm)
	DOMES	40.3" (1024mm)	2.9" (73mm)	8.25" (210mm)
	CONE	40.3" (1024mm)	2.9" (73mm)	8.0" (203mm)

NOTE: STANDARD 42" MODEL DIMENSION. FOR OPTIONAL 30" MODEL, SUBTRACT 12" FROM DIMENSION "A"

General: The indirect reflector system on the Elegant Bollard reduces glare and directs light downward for outstanding performance.

Housing: Cast low-copper content marine grade aluminum tops, lamp chamber, base, etc. Bollard tube from extruded marine grade aluminum. All external hardware is stainless steel.

Lens: High-impact, UV stabilized clear acrylic lens is standard.

Lamps: Accepts MH and HPS ED-17 lamps to 70 watts, incandescent lamps 100 watts or less, and 26-42 watt compact fluorescent lamps. 55 watt induction lamps systems are available for extreme long life and low maintenance applications.

Ballast: Integral ballast mounted to lamp/socket plate for easy maintenance. 50W HID units standard with dual volt (120/277V) 60HZ ballast; 70W units standard with quad volt (120/208/240/277V) 60HZ ballast; compact fluorescent units standard with universal 120-277V 50/60HZ electronic ballast. Induction lamp units provided with 120V system generator. Not designed for through wiring.

Finish: Textured polyester powder coat finish. Black, bronze, gray, white, silver, and verde green options available. For custom colors, please contact factory.

Gaskets: EPDM gaskets are standard.

Dimensions: 8" diameter. 42" nominal height is standard; 30" nominal height option available.

Tops: Four top styles available: beveled, cone, dome and flat.

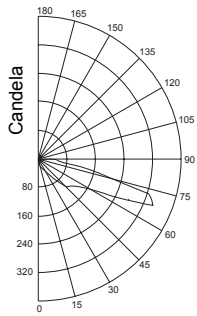
Mounting: Mount the fixture using the provided mounting template and 1/2" anchor bolt kit (4 bolts).

Optics: Diffuse reflector standard. Specular reflector option available.

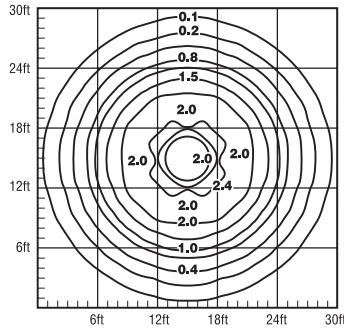
Listings: UL Listed 1598 for Wet Locations and suitable for mounting within 4' of ground. Indoor/Outdoor listed for use in Canada.

PHOENIX
Intrigue
SERIES™

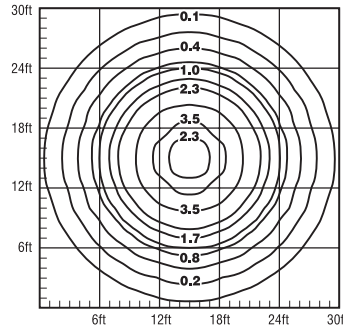
PHOTOMETRICS



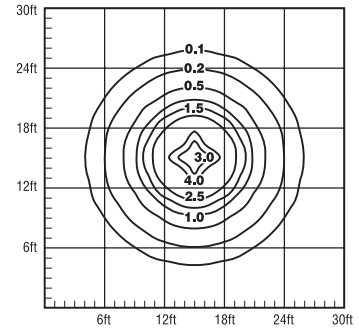
EL8B70MH*
70W Medium Base MH
NEMA Type: 6x6
Lumens - 5500
* Insert Top Style



EL8B70MH*
70W Medium Base MH
Lumens - 5500
* Insert Top Style



EL8B70HPS*
70W Medium Base HPS
Lumens - 6400
* Insert Top Style



EL8B32CFL*
32W Compact Fluorescent
Lumens - 2400
* Insert Top Style

ORDERING INFORMATION

Example	SERIES	DIAMETER (nominal inches)	MOUNT	WATT/ TYPE	TOP STYLE	OPTIONS					
						LENS (clear acrylic standard)	VOLTAGE (120V standard)	REFLECTOR (diffuse reflector standard)	HEIGHT (42" standard) (nominal inches)	FINISH	ELECTRICAL
	EL	8	B	INC	D	CL	347V	RSL	30	WHT	ELB
	EL	8	B	50MH 70MH 50HPS 70HPS INC 26CFL 32CFL 42CFL 55IL	B C D F	CL	220/240-50H 347V	RSL	30	BRZ WHT VGN GRY SIL CC	ELB

Lamp Wattage/Type

50MH = 50W Metal Halide (ED17)
70MH = 70W Metal Halide (ED17)
50HPS = 50W High Pressure Sodium (ED17)
70HPS = 70W High Pressure Sodium (ED17)
INC = Incandescent (up to 100W max.)
26CFL = 26W Compact Fluorescent
32CFL = 32W Compact Fluorescent
42CFL = 42W Compact Fluorescent
55IL = 55W Induction Lamp System

Mounting

B = Bollard

Top Style

B = Beveled Top
C = Cone Top
D = Dome Top
F = Flat Top

Lens

CL = Clear Acrylic Lens (Standard)

Voltage

HID: 50W = 120/277V; 60 Hz standard
70W = 120/208/240/277V standard
CFL: 120-277V; 50/60 Hz standard
IL: 120V; 60Hz standard

220/240-50H = 220/240V, 50HZ (HID units only)
347V = 347 Volt (70W HID or higher units only)

Reflector (Diffuse Reflector Standard)

RSL = Specular Reflector Lens

Height (42" Standard)

30" = 30" Overall Height

Finish (Black Standard)

BRZ = Bronze
WHT = White
VGN = Verde Green
GRY = Gray
SIL = Silver
CC = Custom Colors
(contact factory)

N5610314D

