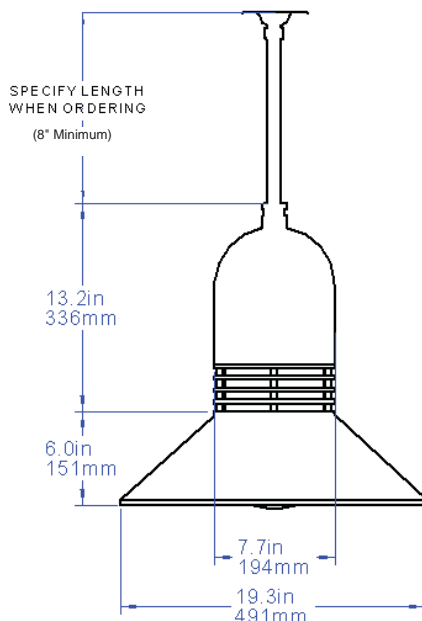


LARGE METRO

Pendant Mount



Dome Top



General: The updated classic style of the Metro Series is available for good area illumination.

Construction: Cast marine-grade, low-copper content aluminum top, housing and shade. Stainless steel external hardware to protect against corrosion.

Lens: Layered opal glass lens is standard. Clear glass available.

Lamps: Accepts PSMH and HPS ED-17 lamps up to 175W, incandescent lamps 150W or less, 26-42W compact fluorescent lamps, and 55 and 85W induction lamp systems.

Ballast: Integral ballast for easy access and maintenance. 50W HID units standard with dual volt (120/277V), 60HZ ballast; 70W-175W units standard with quad volt (120/208/240/277V), 60HZ ballast; compact fluorescent units standard with universal (120-277V), 50/60HZ electronic ballast; induction lamp units provided with 120V, 60HZ system generator. Other voltages available upon request.

Tops: One top style available: dome.

Mounting: See Pendant Mount Kit (sold separately). Pendant Mount Kit required for complete installation.

Finish: Textured polyester powder coat finish. Shade underside is standard with white finish. Black, bronze, gray, white, silver, and verde green options available. For custom colors, please contact factory.

Gaskets: EPDM gaskets standard.

E.P.A. and Weight: EPA = .656 ft²; weight = 27.5lbs. (12.5 Kg.)

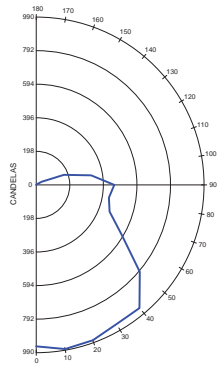
Listings: UL Listed 1598 for Wet Locations. Indoor/Outdoor listed for use in Canada.



WALL MOUNT, POLE MOUNT AND BOLLARD FIXTURES AVAILABLE
SMALL SCALE WALL MOUNT VERSION AVAILABLE

PHOENIX
Intrigue
SERIES™

PHOTOMETRICS



LMTPM150PSMH
150W Medium Base PSMH
NEMA Type: 7x7
Lumens - 12900

ORDERING INFORMATION

Example	SERIES	MOUNT	WATT/ TYPE	TOP STYLE	OPTIONS		
					LENS <small>(opal glass standard)</small>	VOLTAGE <small>(see below*)</small>	FINISH
	LMT	PM	100MH	D	CL	347V	BRZ
	LMT	PM	50MH 70MH 100MH 150PSMH 175PSMH 50HPS 70HPS 100HPS 150HPS INC 26CFL 32CFL 42CFL 55IL 85IL	D	CL	220/240-50H 347V	BLK BRZ WHT VGN GRY SIL CC

Lamp Wattage/Type (Lamp Included-except INC)

- 50MH = 50W Metal Halide (ED17)
- 70MH = 70W Metal Halide (ED17)
- 100MH = 100W Metal Halide (ED17)
- 150PSMH = 150W Pulse Start Metal Halide (ED17)
- 175PSMH = 175W Pulse Start Metal Halide (ED17)
- 50HPS = 50W High Pressure Sodium (ED17)
- 70HPS = 70W High Pressure Sodium (ED17)
- 100HPS = 100W High Pressure Sodium (ED17)
- 150HPS = 150W High Pressure Sodium (ED17)
- INC = Incandescent (150W max.)
- 26CFL = 26W Compact Fluorescent (triple, 4-pin)
- 32CFL = 32W Compact Fluorescent (triple, 4-pin)
- 42CFL = 42W Compact Fluorescent (triple, 4-pin)
- 55IL = 55W Induction Lamp System
- 85IL = 85W Induction Lamp System

Mounting

- PM = Pendant Mount
(Note: Pendant Mount Kit - Sold separately required for complete installation.)

Top Style

- D = Dome Top

Voltage

- HID: 50W = 120/277V; 60 HZ standard
- 70W+ = 120/208/240/277V standard
- CFL: 120-277V; 50/60 HZ standard
- IL: 120V, 60HZ generator standard
- All HID tapped at 277V unless specified.
- 220/240-50H = 220/240V, 50HZ (HID units only)
- 347V = 347 Volt (70W HID or higher units only)

Lens (Opal Glass Standard)

- CL = Clear Glass Lens

Finish

- BLK = Black
- BRZ = Bronze
- WHT = White
- VGN = Verde Green
- GRY = Gray
- SIL = Silver
- CC = Custom Colors (contact factory)

N5610435E

