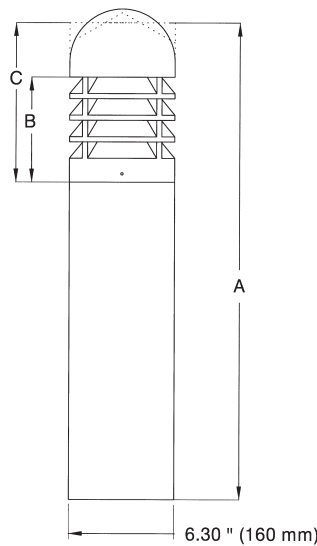


ALLURE



SIZE	TOP STYLE	DIM "A"	DIM "B"	DIM "C"
6"	BEVELED AND FLAT	40.6" (1029mm)	6.24" (158mm)	9.6" (241mm)
	DOMES	41.3" (1049mm)	6.24" (158mm)	10.3" (262mm)
	CONE	41.1" (1044mm)	6.24" (158mm)	10.1" (257mm)

NOTE: STANDARD 42" MODEL DIMENSION. FOR OPTIONAL 30" MODEL, SUBTRACT 12" FROM DIMENSION "A"

General: The cast louvers on the Allure Bollard provide excellent downward light for pathway lighting.

Housing: Cast low-copper content aluminum tops, lamp chamber, base, etc. Bollard tube from extruded aluminum. All external hardware is stainless steel.

Lens: Opal glass lens is standard.

Lamps: Accepts MH and HPS ED-17 lamps to 100 watts, incandescent lamps 100 watts or less, and 26-42 watt compact fluorescent lamps. 55 watt induction lamps systems are available for extreme long life and low maintenance applications.

Ballast: Integral ballast mounted to lamp/socket plate for easy maintenance. 50W HID units standard with dual volt (120/277V) 60HZ ballast; 70W and higher units standard with quad volt (120/208/240/277V) 60HZ ballast; compact fluorescent units standard with universal 120-277V 50/60HZ electronic ballast; induction lamp units provided with 120V system generator.

Finish: Textured polyester powder coat finish. Black standard. Bronze, gray, white, silver, and verde green options available. For custom colors, please contact factory.

Gaskets: EPDM gaskets are standard.

Dimensions: Available in 6" diameter. 42" height is standard; 30" height option available.

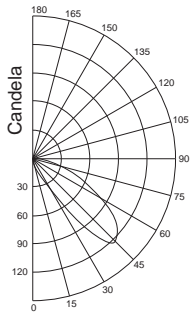
Tops: Four top styles available: beveled, cone, dome and flat.

Mounting: Mount the fixture using the provided mounting template and 1/2" anchor bolt kit (4 bolts).

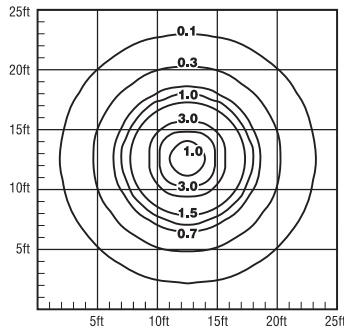
Listings: UL Listed 1598 for Wet Locations and suitable for mounting within 4' of ground. Indoor/Outdoor listed for use in Canada.

PHOENIX
Intrigue
SERIES™

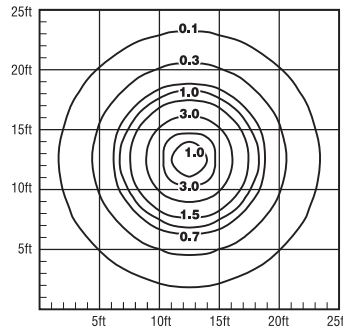
PHOTOMETRICS



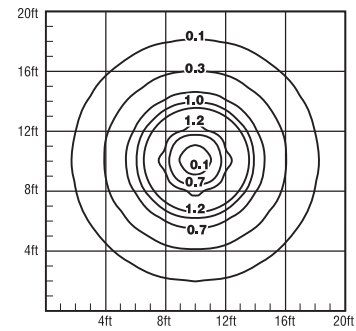
AR6B70MH*
70W Medium Base MH
NEMA Type: 7x7
Lumens - 5500
* Insert Top Style



AR6B70MH*
70W Medium Base MH
Lumens - 5500
* Insert Top Style



AR6B70HPS*
70W Medium Base HPS
Lumens - 6400
* Insert Top Style



AR6B32CFL*
32W Compact Fluorescent
Lumens - 2400
* Insert Top Style

ORDERING INFORMATION

Example	SERIES	DIAMETER (nominal inches)	MOUNT	WATT/ TYPE	TOP STYLE	OPTIONS			
						LENS (opal standard)	VOLTAGE (120V standard)	HEIGHT (42" standard) (nominal inches)	FINISH (black standard)
	AR	6	B	42CFL	B	OL/HSS	120	42	BRZ
	AR	6	B	50MH 70MH 100MH 50HPS 70HPS 100HPS INC 26CFL 32CFL 42CFL 55IL	B C D F	OL HSS	220/240-50H 347V ELB	30	BRZ WHT VGN GRY SIL CC

Lamp Wattage/Type

50MH = 50W Metal Halide (ED17)
70MH = 70W Metal Halide (ED17)
100MH = 100W Metal Halide (ED17)
50HPS = 50W High Pressure Sodium (ED17)
70HPS = 70W High Pressure Sodium (ED17)
100HPS = 100W High Pressure Sodium (ED17)
INC = Incandescent (100W max.)
26CFL = 26W Compact Fluorescent
32CFL = 32W Compact Fluorescent
42CFL = 42W Compact Fluorescent
55IL = 55W Induction Lamp System

Top Style

B = Beveled Top
C = Cone Top
D = Dome Top
F = Flat Top

Lens (Opal Lens Standard)

OL = Opal Lens (Standard)
HSS = Houseside Shield

Voltage

HID: 50W = 120/277V; 60 Hz standard
70W = 120/208/240/277V standard
CFL: 120-277V; 50/60 Hz standard
IL: 120V; 60Hz standard
220/240-50H = 220/240V, 50HZ (HID units only)
347V = 347 Volt (70W HID or higher units only)
ELB = Electronic Ballast (HID units)

Height (42" Standard)

30" = 30" Overall Height

Finish (Black Standard)

BRZ = Bronze
WHT = White
VGN = Verde Green
GRY = Gray
SIL = Silver
CC = Custom Colors
(contact factory)

Mounting

B = Bollard

N5610311E

