

# METRO



Dome Top



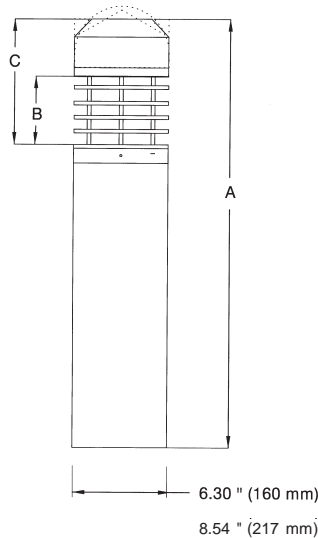
Cone Top



Flat Top



Beveled Top



SIZE	TOP STYLE	DIM "A"	DIM "B"	DIM "C"
6"	BEVELED AND FLAT	39.9" (1013mm)	4.5" (114mm)	7.8" (198mm)
	DOMES	40.8" (1036mm)	4.5" (114mm)	8.6" (218mm)
	CONE	40.8" (1031mm)	4.5" (114mm)	8.4" (213mm)
8"	BEVELED AND FLAT	42.2" (1071mm)	5.9" (150mm)	9.9" (251mm)
	DOMES	42.7" (1085mm)	5.9" (150mm)	10.2" (259mm)
	CONE	42.4" (1077mm)	5.9" (150mm)	10.5" (267mm)

NOTE: STANDARD 42" MODEL DIMENSION. FOR OPTIONAL 30" MODEL SUBTRACT 12" FROM DIMENSION "A"

**General:** The Metro Bollard's flat rings provide glare control for this contemporary stylish fixture.

**Housing:** Low-copper content aluminum tops, lamp chamber, base, etc. Bollard tube from extruded aluminum. All external hardware is stainless steel.

**Lens:** Opal glass lens is standard.

**Lamps:** Accepts MH and HPS ED-17 lamps to 100 watts, incandescent lamps 100 watts or less, and 26-42 watt compact fluorescent lamps. 55 watt induction lamp system available for extreme long life and low maintenance applications.

**Ballast:** Integral ballast mounted to lamp/socket plate for easy maintenance. 50W HID units standard with dual volt (120/277V) 60HZ ballast; 70W and higher units standard with quad volt (120/208/240/277V) 60HZ ballast; compact fluorescent units standard with universal 120-277V 50/60HZ electronic ballast; induction lamp unit provided with 120V system generator.

**Finish:** Textured polyester powder coat finish. Available in black, bronze, gray, white, silver, and verde green options. For custom colors, please contact factory.

**Gaskets:** EPDM gaskets are standard.

**Dimensions:** Available in 6" and 8" diameters. 42" height is standard; 30" height option available.

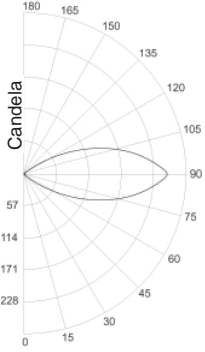
**Tops:** Four top styles available: beveled, cone, dome and flat.

**Mounting:** Mount the fixture using the provided mounting template and 1/2" anchor bolt kit (4 bolts).

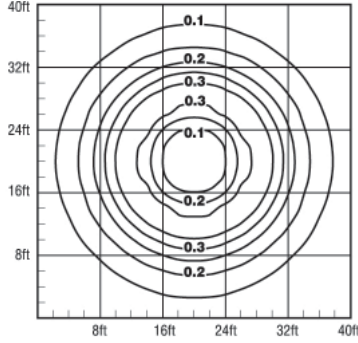
**Listings:** UL Listed 1598 for Wet Locations and suitable for mounting within 4' of ground. Indoor/Outdoor listed for use in Canada.



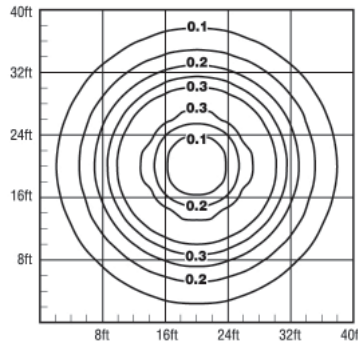
# PHOTOMETRICS



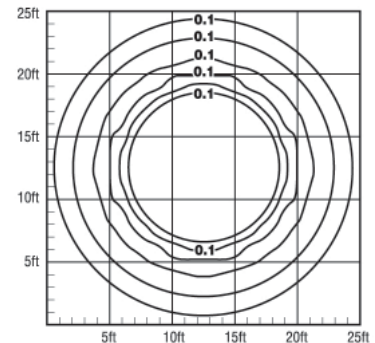
MT6B70MH\*  
70W Medium Base MH  
NEMA Type: 4x4  
Lumens - 5500  
\* Insert Top Style



MT6B70MH\*  
70W Medium Base MH  
Lumens - 5500  
\* Insert Top Style



MT6B70HPS\*  
70W Medium Base HPS  
Lumens - 6400  
\* Insert Top Style



MT6B32CFL\*  
32W Compact Fluorescent  
Lumens - 2400  
\* Insert Top Style

# ORDERING INFORMATION

Example	SERIES	DIAMETER (nominal inches)	MOUNT	WATT/ TYPE	TOP STYLE	OPTIONS			
						LENS	VOLTAGE	HEIGHT (42" standard) (nominal inches)	FINISH
	MT	6	B	70MH	F	OL		30	SIL
	MT	6 8	B	50MH 70MH 100MH 50HPS 70HPS 100HPS INC 26CFL 32CFL 42CFL 55IL	B C D F	OL	See Below	42 30	BLK BRZ WHT VGN GRY SIL CC

### Lamp Wattage/Type

50MH = 50W Metal Halide (ED17)  
70MH = 70W Metal Halide (ED17)  
100MH = 100W Metal Halide (ED17)  
50HPS = 50W High Pressure Sodium (ED17)  
70HPS = 70W High Pressure Sodium (ED17)  
100HPS = 100W High Pressure Sodium (ED17)  
INC = Incandescent (100W max.)  
26CFL = 26W Compact Fluorescent  
32CFL = 32W Compact Fluorescent  
42CFL = 42W Compact Fluorescent  
55IL = 55W Induction Lamp System

### Mounting

B = Bollard

### Top Style

B = Beveled Top  
C = Cone Top  
D = Dome Top  
F = Flat Top

### Lens

OL = Opal Lens

### Voltage

HID: 50W = 120/277V; 60 Hz standard  
70W = 120/208/240/277V standard  
CFL = 120-277V; 50/60 Hz standard  
IL = 120V; 50/60Hz standard  
220/240-50H = 220/240V, 50HZ (HID units only)  
347V = 347 Volt (70W HID or higher units only)  
ELB = Electronic Ballast (HID units)

### Height (42" Standard)

42" = 42" Overall Height  
30" = 30" Overall Height

### Finish

BLK = Black  
BRZ = Bronze  
WHT = White  
VGN = Verde Green  
GRY = Gray  
SIL = Silver  
CC = Custom Colors  
(contact factory)

N5610312D

