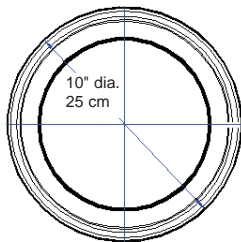
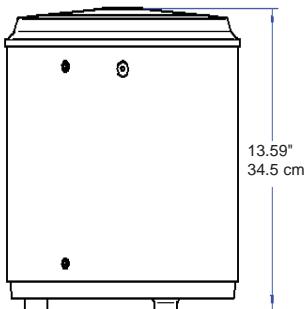
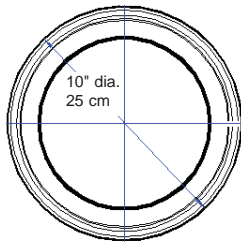
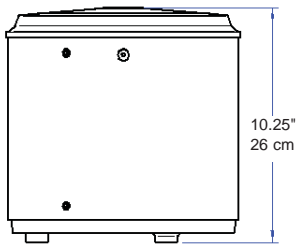


MG SERIES

ABOVE-GROUND LANDSCAPE FLOODLIGHT



General: The MG Series is an outdoor, above-ground luminaire for flood, spot, narrow spot, and wall wash applications. The unique style is knuckle-free and blends into landscape and architectural settings while maintaining the beauty of the area. "Aim-It and Leave-It" technology eliminates constant re-aiming by externally locking the optical system in place. Available in two housing sizes for maximum lamp and optic offerings.

Construction: Marine-grade, low-copper content aluminum housing, base, and lens frame, as well as stainless steel hardware protect against corrosion.

Gasketing: Single piece o-ring gasket at lens and base keeps moisture and debris out of fixture while maintaining a watertight seal.

Lens: Factory sealed, tempered, and crowned lens. Clear lens standard on flood, spot, and narrow spot models. Spread (stippled) lens standard on wall wash units. Optional rock guard is available to prevent vandalism.

Reflector: Specular hammertone aluminum for spot optics. Diffuse hammertone aluminum for flood and wall wash optics. Semi-specular spun aluminum reflector for narrow spot optics.

Aiming: "Aim-It and Leave-It" feature provides positive lock, preventing reflector from being jarred out of position. Base set screw allows housing to rotate for 360° horizontal aiming. Optical system screw provides for vertical ±30° reflector aiming external to the fixture.

Wiring: Fixture base includes integral wiring compartment suitable for a maximum of four No. 12 AWG through branch circuit conductors. For ease of installation, quick disconnects provided to remove upper housing.

Lamps: Accepts quartz arc tube or ceramic arc tube ED-17 PSMH lamps to 150W, HPS ED-17 lamps to 150W, quartz or ceramic PAR38 metal halide to 150W, ceramic arc T-6 metal halide lamps to 150W, double-ended metal halide to 150W, incandescent PAR38 to 250W, and double-ended quartz halogen up to 300W.

Finish: Thermoset, textured polyester powder coat finish. Black, bronze, gray, white, silver, and verde green options available. For custom colors, please contact factory.

Mounting: Fixture comes with a 1/2" trade size conduit hole and a knockout for thru wiring. Base has three holes for 3/8" bolts at 120°. Provided with three sealing conduit lock nuts and three sealing washers for mounting on concrete pad. 2-1/2" spacer kit for elevating fixture from hard surface is optional.

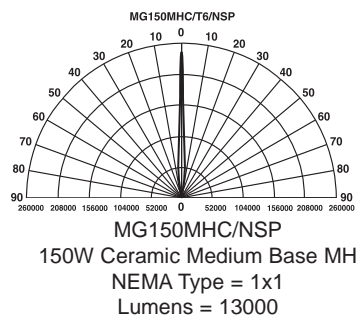
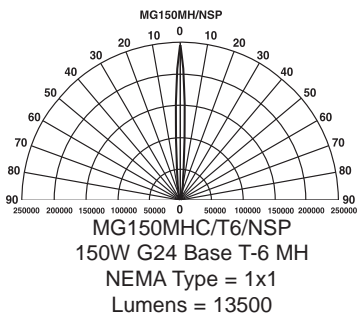
Weight: Short housing: 20lbs. (9kg), Tall housing: 26.5lbs. (12kg)

Listings: UL Listed 1598 Wet Locations. cUL Listed.



PHOTOMETRICS

CANDELA CURVE DATA
 FOOTCANDLES = $\frac{\text{CENTERLINE CANDELAS}}{(\text{DISTANCE FROM FIXTURE})^2}$



OPTIONS (FACTORY INSTALLED)



Rock Guard Lens
 Option
 Add to Order # - RG

ACCESSORIES (FIELD INSTALLED)



Internal Glare Guard
Order # IGG-RING
 (FL, SP, OR WW Optics)
 Concentric Ring
Order #CON
 (NSP Optics Only)



8" Dichroic Color Filters
 with Mounting Kit
Order #
BLUE = DF-B8
GREEN = DF-G8
RED = DF-R8
YELLOW = DF-Y8



Metal Mounting
 Template
Order # MTK



Internal Glare Guard
 Eggcrate
Order # IGG-EGG

Not Shown:
 Spacer Mounting Kit
Order # SMK
 (Used to elevate
 fixture 2 1/2" from
 solid surface)

LAMPING/OPTICS AVAILABILITY

Standard Housing Size (inches)				
Lamp Wattage/Type	Flood	Spot	Wall Wash	Narrow Spot
70MH	10.25	10.25	10.25	13.59*
100MH	10.25	10.25	10.25	13.59*
150MH**	10.25	10.25	10.25	13.59*
70MH/PAR38***	13.59 Optics Per Lamp Mfr.			
100MH/PAR38***	13.59 Optics Per Lamp Mfr.			
150MH/PAR38***	13.59 Optics Per Lamp Mfr.			
70MHC	10.25	10.25	10.25	13.59*
100MHC	10.25	10.25	10.25	13.59*
150MHC	10.25	10.25	10.25	13.59*
70MHC/T6	10.25	10.25	10.25	13.59*
150MHC/T6**	10.25	10.25	10.25	13.59*
150MHC/T6-SA**	10.25	10.25	10.25	13.59*
70MH/DE	10.25	10.25	10.25	-
150MH/DE	10.25	10.25	10.25	-
70HPS	10.25	10.25	10.25	13.59*
100HPS	10.25	10.25	10.25	13.59*
150HPS	10.25	10.25	10.25	13.59*
250Q/DE	10.25	10.25	10.25	-
300Q/DE	10.25	10.25	10.25	-
38INC	10.25 Optics Per Lamp Mfr.			

Watt/Type

70MH = 70W Metal Halide (ED17)

100MH = 100W Metal Halide (ED17)

150MH = 150W Pulse Start Metal Halide (ED-17)**

70MH/PAR38 = 70W Metal Halide (PAR 38 quartz or ceramic)***

100MH/PAR38 = 100W Metal Halide (PAR 38 quartz or ceramic)***

150MH/PAR38 = 150W Metal Halide (PAR 38 quartz or ceramic)***

70MHC = 70W Metal Halide (Ceramic ED17)

100MHC = 100W Metal Halide (Ceramic ED17)

150MHC = 150W Pulse Start Metal Halide (Ceramic ED17)

70MHC/T6 = 70W Metal Halide (Ceramic T-6)

150MHC/T6 = 150W Pulse Start Metal Halide (Ceramic T-6)

150MHC/T6-SA = 150W Pulse Start Metal Halide (Ceramic T-6, Short Arc Photo Lamp)

70MH/DE = 70W Metal halide (Double-ended HQI)

150MH/DE = 150W Metal halide (Double-ended HQI)

70HPS = 70W High Pressure Sodium (ED-17)

100HPS = 100W High Pressure Sodium (ED-17)

150HPS = 150W High Pressure Sodium (ED-17)

250 Q/DE = 250W Incandescent Quartz (Double-ended, 250W max.)

300 Q/DE = 300W Incandescent Quartz (Double-ended, 300W max.)

38INC = Incandescent (PAR 38 - 300W max)

* Available in tall (13.59"/34.5cm) housing only

** Standard in tall (13.59"/34.5cm) housing with electronic ballast. Available in short (10.25"/26cm) housing with magnetic ballast

*** Standard in tall (13.59"/34.5cm) housing with magnetic ballast. Available in short (10.25"/26cm) housing with electronic ballast

ORDERING INFORMATION

SERIES	WATT/TYPE	OPTICS	ELECTRICAL	VOLTAGE	OPTIONS	FINISH
example: MG	70MH/PAR30	FL	ELB		RG	BLK
MG	70MH 100MH 150MH** 39MH/PAR30 70MH/PAR30 70MH/PAR38*** 100MH/PAR38*** 150MH/PAR38*** 70MHC 100MHC 70MHC/T6 150MHC/T6** 150MHC/T6SA** 70MH/DE 150MH/DE 70HPS 100HPS 150HPS 250Q/DE 300Q/DE 38INC	FL SP WW NSP*	ELB	230/50HZ	RG SL CL	BLK BRZ GRY WHT VGN SIL CC

* Available in tall (13.59") housing only

** Standard in tall (13.59"/34.5cm) housing with electronic ballast. Available in short (10.25"/26cm) housing with magnetic ballast.

***Standard in tall (13.59"/34.5cm) housing with magnetic ballast. Available in short (10.25"/26cm) housing with electronic ballast.

WATTAGE/TYPE (lamps included - except incandescent)

70MH = 70W Metal Halide (ED17)
 100MH = 100W Metal Halide (ED17)
 150MH = 150W Pulse Start Metal Halide (ED17)**
 39MH/PAR30 = 39W Metal Halide (PAR30 ceramic MH)
 70MH/PAR30 = 70W Metal Halide (PAR30 ceramic MH)
 70MH/PAR38*** = 70W Metal Halide (PAR 38 quartz or ceramic MH)
 100MH/PAR38*** = 100W Metal Halide (PAR 38 quartz or ceramic MH)
 150MH/PAR38*** = 150W Metal Halide (PAR 38 quartz or ceramic MH)
 70MHC = 70W Metal Halide (Ceramic ED17)
 100MHC = 100W Metal Halide (Ceramic ED17)
 150MHC = 150W Pulse Start Metal Halide (Ceramic ED17)
 70MHC/T6 = 70W Metal Halide (Ceramic T6)
 150MHC/T6*** = 150W Pulse Start Metal Halide (Ceramic T6)
 150MHC/T6SA*** = 150W Pulse Start Metal Halide (Ceramic T6, Short Arc Photo Lamp)
 70MH/DE = 70W Metal Halide (Double-ended HQI)
 150MH/DE = 150W Metal Halide (Double-ended HQI)
 70HPS = 70W High Pressure Sodium (ED17)
 100HPS = 100W High Pressure Sodium (ED17)
 150HPS = 150W High Pressure Sodium (ED17)
 250Q/DE = 250W Incandescent Quartz (Double-ended; 250W max.)
 300Q/DE = 300W Incandescent Quartz (Double-ended; 300W max.)
 38INC = Incandescent (PAR38 - 300W max.)

OPTICS

FL = Flood Optics
 SP = Spot Optics
 WW = Wall Wash Optics
 NSP = Narrow Spot Optics (NEMA 1x1)

ELECTRICAL

ELB = Electronic Ballast
 (Available up to 100 watts HID only)
 (Tapped at 120V, unless otherwise requested)

OPTIONS

RG = Rock Guard
 SL = Spread (stippled) Lens
 (Standard on WW units)
 CL = Clear Lens
 (Standard on FL, SP & NSP units)

VOLTAGE

Standard:
 50W = Dual Volt (120/277)
 70W+ = Quad Volt (120/208/240/277V)
 (ballasts tapped at 277V unless specified)

230/50HZ = 230 Volts; 50HZ

FINISH

BLK = Black
 BRZ = Bronze
 GRY = Gray
 WHT = White
 VGN = Verde Green
 SIL = Silver
 CC = Custom Color
 (consult factory)

Phoenix Products has taken reasonable steps to ensure that the information contained herein is accurate. While we believe the information is accurate, no warranty is made or implied. Product design and specifications are subject to change without notice. The most current version of this specification sheet can be found on our website, www.phoenixproducts.com

N5610186G