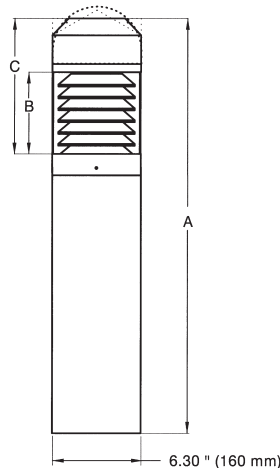
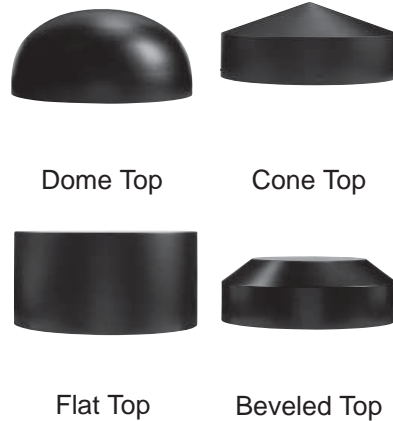


# ESPIAL



SIZE	TOP STYLE	DIM "A"	DIM "B"	DIM "C"
6"	BEVELED AND FLAT	41.9" (1064mm)	5.8" (147mm)	9.1" (231mm)
	DOMES	42.7" (1085mm)	5.8" (147mm)	9.9" (259mm)
	CONE	42.4" (1077mm)	5.8" (147mm)	9.7" (251mm)

NOTE: STANDARD 42" MODEL DIMENSION. FOR OPTIONAL 30" MODEL, SUBTRACT 12" FROM DIMENSION "A"

**General:** The high reflectance louvers on the Espial Bollard increase area illuminance for security, pathway and entrance lighting.

**Housing:** Low-copper content aluminum tops, lamp chamber, base, etc. Bollard tube from extruded aluminum. All hardware is stainless steel.

**Lens:** High-impact, UV stabilized DR clear acrylic lens is standard.

**Lamps:** Accepts up to 70W MH and HPS ED-17 lamps, 26-42W compact fluorescent lamps and up to 75W incandescent lamps.

**Ballast:** Integral ballast mounted to lamp/socket plate for easy maintenance. 50W HID units standard with dual volt (120/277V) 60HZ ballast; 70W units standard with quad volt (120/208/240/277V) 60HZ ballast; compact fluorescent units standard with universal 120-277V 50/60HZ electronic ballast.

**Finish:** Textured polyester powder coat finish. Available in black, bronze, gray, white, silver and verde green options. For custom colors, please contact factory.

**Gaskets:** EPDM gaskets are standard.

**Dimensions:** Available in 6" diameter. Standard height is 42"; 30" height option available.

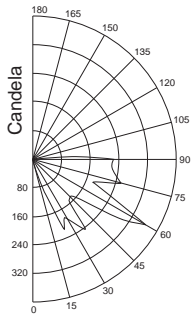
**Tops:** Four top styles available: beveled, cone, dome and flat.

**Mounting:** Mount the fixture using the provided mounting template and 1/2" anchor bolt kit (4 bolts).

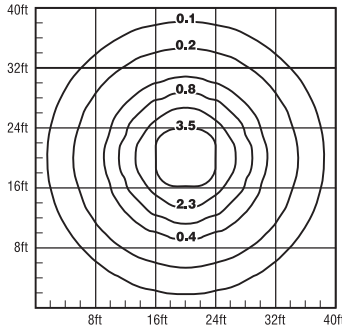
**Listings:** UL Listed 1598 for Wet Locations and suitable for mounting within 4' of ground. Indoor/Outdoor listed for use in Canada.



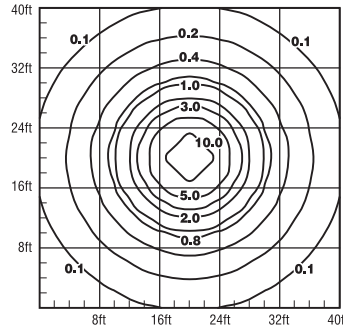
# PHOTOMETRICS



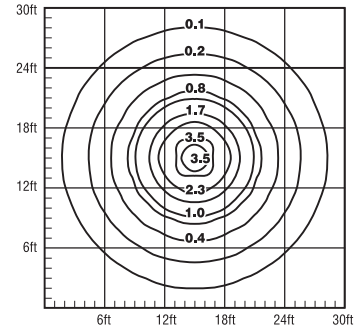
EP6B70MH\*  
70W Medium Base MH  
NEMA Type: 7x7  
Lumens - 5500  
\* Insert Top Style



EP6B70MH\*  
70W Medium Base MH  
Lumens - 5500  
\* Insert Top Style



EP6B70HPS\*  
70W Medium Base HPS  
Lumens - 6400  
\* Insert Top Style



EP6B32CFL\*  
32W Compact Fluorescent  
Lumens - 2400  
\* Insert Top Style

# ORDERING INFORMATION

Example	SERIES	DIAMETER (nominal inches)	MOUNT	WATT/ TYPE	TOP STYLE	OPTIONS			
						LENS	VOLTAGE	HEIGHT (42" standard) (nominal inches)	FINISH
	EP	6	B	70MH	F	CL		42	GRY
	EP	6	B	50MH 70MH 50HPS 70HPS INC 26CFL 32CFL 42CFL	B C D F	CL 180°	SEE BELOW	42 30	BLK BRZ WHT VGN GRY SIL CC

### Lamp Wattage/Type

50MH = 50W Metal Halide (ED17)  
70MH = 70W Metal Halide (ED17)  
50HPS = 50W High Pressure Sodium (ED17)  
70HPS = 70W High Pressure Sodium (ED17)  
INC = Incandescent (up to 75W max.)  
26CFL = 26W Compact Fluorescent  
32CFL = 32W Compact Fluorescent  
42CFL = 42W Compact Fluorescent

### Top Style

B = Beveled Top  
C = Cone Top  
D = Dome Top  
F = Flat Top

### Lens (Clear Acrylic Lens Standard)

CL = Clear Acrylic Lens  
180° = 180° House Side Shield

### Voltage

HID: 50W = 120/277V; 60 HZ standard  
70W = 120/208/240/277V standard  
CFL: 120-277V; 50/60 HZ standard  
220/240-50H = 220/240V, 50HZ (HID units only)  
347V = 347 Volt (70W HID or higher units only)  
ELB = Electronic Ballast (HID units)

### Height (42" Standard)

42" = 42" Overall Height  
30" = 30" Overall Height

### Finish

BLK = Black  
BRZ = Bronze  
WHT = White  
VGN = Verde Green  
GRY = Gray  
SIL = Silver  
CC = Custom Colors  
(contact factory)

### Mounting

B = Bollard

N5610313D

