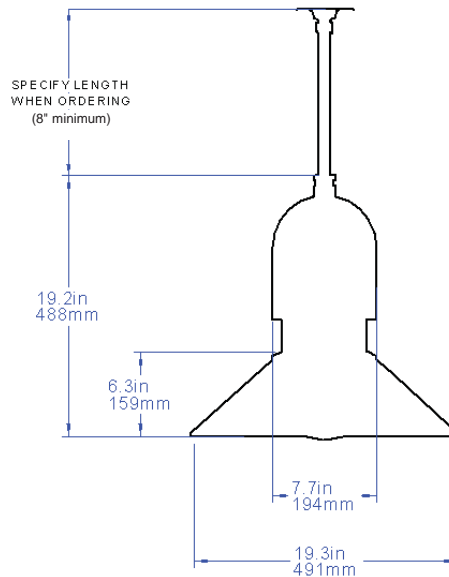


# ELEGANT - Pendant Mount



Dome Top



**General:** The open birdcage style of the Elegant provides some uplight in a classic fixture.

**Construction:** Cast marine-grade, low-copper content aluminum top, housing and shade. Stainless steel external hardware to protect against corrosion.

**Lens:** Layered opal glass lens is standard. Clear glass lens available.

**Lamps:** Accepts PSMH and HPS ED-17 lamps to 175 watts, incandescent lamps 150 watts or less, and 26-42 watt compact fluorescent lamps, and 55 and 85 watt induction lamps systems.

**Ballast:** Integral ballast for easy access and maintenance. 50W HID units standard with dual volt (120/277V), 60HZ ballast; 70W-175W units standard with quad volt (120/208/240/277V), 60HZ ballast; compact fluorescent units standard with universal (120-277V), 50/60HZ electronic ballast; induction lamp units provided with 120V, 60HZ system generator. Other voltages available upon request.

**Tops:** One top style available: dome.

**Mounting:** See Pendant Mount Kit (sold separately). Pendant Mount Kit required for complete installation.

**Finish:** Textured polyester powder coat finish. Shade underside is standard with white finish. Black, bronze, gray, white, silver, and verde green options available. For custom colors, please contact factory.

**Gaskets:** EPDM gaskets standard.

**E.P.A. and Weight:** EPA = .656 ft<sup>2</sup>; weight = 27.5lbs. (12.5 Kg.)

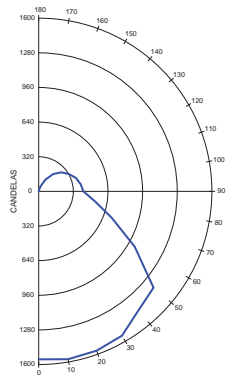
**Listings:** UL Listed 1598 for Wet Locations. Indoor/Outdoor listed for use in Canada.



POLE AND WALL MOUNT AND BOLLARD FIXTURE AVAILABLE

PHOENIX  
*Intrigue*  
SERIES™

# PHOTOMETRICS



ELPM150PSMH  
 150W Medium Base PSMH  
 NEMA Type: 7x7  
 Lumens - 12900

## ORDERING INFORMATION

| Example | SERIES | MOUNT | WATT/<br>TYPE   | TOP<br>STYLE | OPTIONS                                |                                       |                                       |
|---------|--------|-------|---|--------------|--|---------------------------------------|---------------------------------------|
|         |        |       |   |              | LENS<br><small>(opal standard)</small> | VOLTAGE<br><small>(see below)</small> | FINISH                                |
|         | EL     | PM    | 100MH   | D            | CL                                     | 347V                                  | BRZ                                   |
|         | EL     | PM    | 50MH<br>70MH<br>100MH<br>150PSMH<br>175PSMH<br>50HPS<br>70HPS<br>100HPS<br>150HPS<br>INC<br>26CFL<br>32CFL<br>42CFL<br>55IL<br>85IL | D            | CL                                     | 220/240-50H<br>347V                   | BRZ<br>WHT<br>VGN<br>GRY<br>SIL<br>CC |

**Lamp Wattage/Type (Lamp Included-except INC)**

- 50MH = 50W Metal Halide (ED17)
- 70MH = 70W Metal Halide (ED17)
- 100MH = 100W Metal Halide (ED17)
- 150PSMH = 150W Pulse Start Metal Halide (ED17)
- 175PSMH = 175W Pulse Start Metal Halide (ED17)
- 50HPS = 50W High Pressure Sodium (ED17)
- 70HPS = 70W High Pressure Sodium (ED17)
- 100HPS = 100W High Pressure Sodium (ED17)
- 150HPS = 150W High Pressure Sodium (ED17)
- INC = Incandescent (150W max.)
- 26CFL = 26W Compact Fluorescent (triple tube, 4-pin)
- 32CFL = 32W Compact Fluorescent (triple tube, 4-pin)
- 42CFL = 42W Compact Fluorescent (triple tube, 4-pin)
- 55IL = 55W Induction Lamp System
- 85IL = 85W Induction Lamp System

**Mounting**

PM = Pendant Mount  
 (Note: Pendant Mount Kit - Sold separately required for complete installation.)

**Top Style**

D = Dome Top

**Voltage**

HID: 50W = 120/277V; 60 HZ standard  
 70W+ = 120/208/240/277V standard  
 CFL: 120-277V; 50/60 HZ standard  
 IL: 120V, 60HZ generator standard  
 All HID tapped at 277V unless specified.

220/240-50H = 220/240V, 50HZ  
 (HID units only)

347V = 347 Volt  
 (70W HID or higher units only)

**Lens (Opal Glass Standard)**

CL = Clear Glass Lens

**Finish**

- BLK = Black
- BRZ = Bronze
- WHT = White
- VGN = Verde Green
- GRY = Gray
- SIL = Silver
- CC = Custom Colors  
(contact factory)

N5610432E

