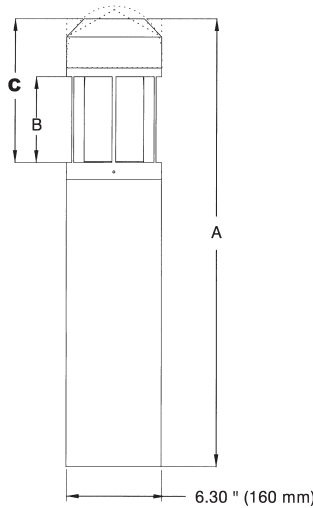


AQUILA



SIZE	TOP STYLE	DIM "A"	DIM "B"	DIM "C"
6"	BEVELED AND FLAT	41.6" (1057mm)	5.6" (142mm)	9.4 (239mm)
	DOME	42.5" (1080mm)	5.6" (142mm)	10.3 (262mm)
	CONE	42.2" (1072mm)	5.6" (142mm)	10.0 (254mm)

General: The open vertical louver style of the Aquila Bollard is perfect for areas where increased ambient light in a decorative package is desired.

Housing: Cast low-copper content aluminum tops, lamp chamber, base, etc. Bollard tube from extruded aluminum. All external hardware is stainless steel.

Lens: Opal glass lens is standard. Clear prismatic lens option available.

Lamps: Accepts MH and HPS ED-17 lamps up to 100 watts, incandescent lamps 100 watts or less and 26-42 watt compact fluorescent lamps. 55 watt induction lamp systems are available for extreme long life and low maintenance applications.

Ballast: Integral ballast mounted to lamp/socket plate for easy maintenance. Dual volt (120/277V) 60HZ ballast standard on 50W HID units; 70W and higher units standard with quad volt (120/208/240/277V) 60HZ ballast; compact fluorescent units standard with universal 120-277V 50/60HZ electronic ballast; induction lamp unit provided with 120V system generator.

Finish: Textured polyester powder coat finish. Available in black, bronze, gray, white, silver, and verde green options. For custom colors, please contact factory.

Gaskets: EPDM gaskets are standard.

Dimensions: Available in 6" diameter. Standard height is 42"; 30" option available.

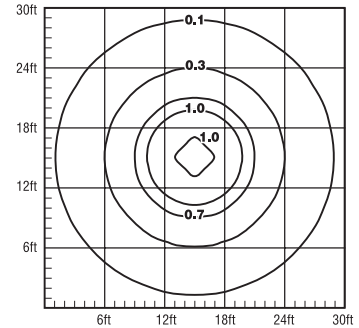
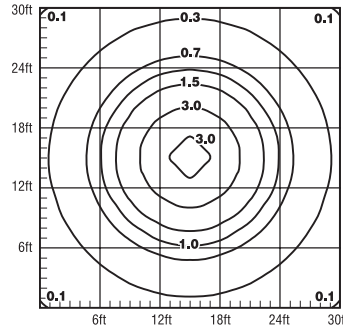
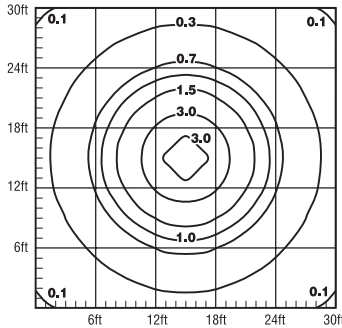
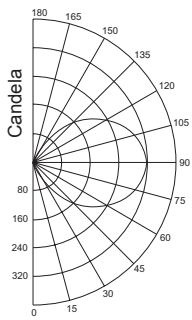
Tops: Four top styles available: beveled, cone, dome and flat.

Mounting: Mount the fixture using the provided mounting template and 1/2" anchor bolt kit (4 bolts).

Listings: UL Listed 1598 for Wet Locations and suitable for mounting within 4' of ground. Indoor/Outdoor listed for use in Canada.



PHOTOMETRICS



AQ6B70MH*
70W Medium Base MH
NEMA Type: 6x6
Lumens - 5500
* Insert Top Style

AQ6B70MH*
70W Medium Base MH
Lumens - 5500
* Insert Top Style

AQ6B70HPS*
70W Medium Base HPS
Lumens - 6400
* Insert Top Style

AQ6B32CFL*
32W Compact Fluorescent
Lumens - 2400
* Insert Top Style

OPTIONS

SERIES	DIAMETER (nominal inches)	MOUNT	WATT/ TYPE	TOP STYLE	LENS (opal standard)	VOLTAGE (120V standard)	HEIGHT (42" standard) (nominal inches)	FINISH
Example AQ	6	B	70MH	C	OL		30	
AQ	6	B	50MH 70MH 100MH 50HPS 70HPS 100HPS INC 26CFL 32CFL 42CFL 55IL	B C D F	OL PL	See Below	42 30	BLK BRZ WHT VGN GRY SIL CC

Lamp Wattage/Type

- 50MH = 50W Metal Halide (ED17)
- 70MH = 70W Metal Halide (ED17)
- 100MH = 100W Metal Halide (ED17)
- 50HPS = 50W High Pressure Sodium (ED17)
- 70HPS = 70W High Pressure Sodium (ED17)
- 100HPS = 100W High Pressure Sodium (ED17)
- INC = Incandescent (100W max.)
- 26CFL = 26W Compact Fluorescent
- 32CFL = 32W Compact Fluorescent
- 42CFL = 42W Compact Fluorescent
- 55IL = 55W Induction Lamp System

Mounting

B = Bollard

Lens (Opal Lens Standard)

OL = Opal Lens (standard)
PL = Prismatic Lens

Voltage

HID: 50W = 120/277V; 60 HZ standard
70W = 120/208/240/277V standard
CFL: 120-277V; 50/60 HZ standard
IL: 120V; 50/60HZ standard
220/240-50H = 220/240V, 50HZ (HID units only)
347V = 347 Volt (70W HID or higher units only)
ELB = Electronic Ballast (HID units)

Top Style

B = Beveled Top
C = Cone Top
D = Dome Top
F = Flat Top

Height (42" Standard)

42" = 42" Overall Height
30" = 30" Overall Height

Finish

BLK = Black
BRZ = Bronze
WHT = White
VGN = Verde Green
GRY = Gray
SIL = Silver
CC = Custom Colors
(contact factory)

N5610310E

